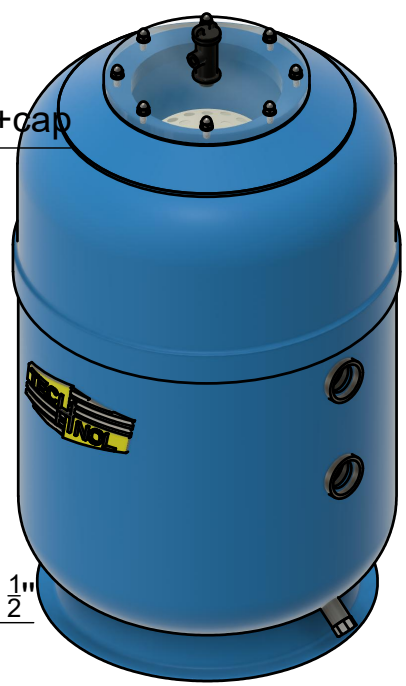
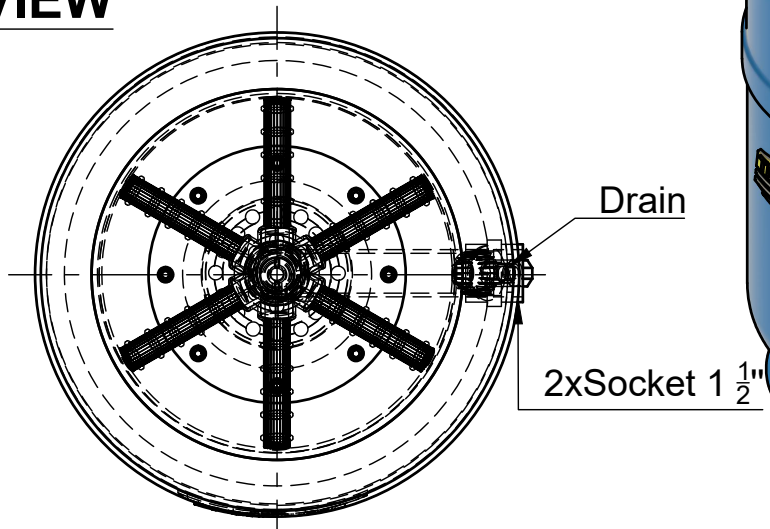



**TOP VIEW**



m=17kg

For right position of connection pieces see top view !

Customer: All Pools (2343/21)				Scale		Surface protection:	
Material: GRP		Working pressure: 2.5 bar		Pieces: 12		RAL 5015	
				Date		Item:	
				05.07.2021		Larix 50c	
				Signature			
				Barbara Jerman			
				Designed by:			
				Checked by:			
				Approved by:			
				 TECHNOL Portorož d.o.o. PODJETJE ZA INŽENIRING IN PROIZVODNJO IZDELKOV IZ UMETNIH MAS		Code:	
						11189-11200/21	
						1/1	
				Doc.		Lang.	
Rev.				Date		Substitute for:	
				Rev.no			
				Approved by:			